

CANTER 7C15 LHD

MODEL / VEHICLE TYPE 7C15

Cab type / crew	Comfort, single cab / 3			
Model variant	46912312	46912512	46912712	46912812
FUSO model code	FEB71CL4SEUX	FEB71EL4SEUX	FEB71GL4SEUX	FEC71HL4SEUX

DIMENSIONS (MM)

Wheelbase	2800	3400	3850	4300
Overall length	5215	5940	6690	7190
Cab length	1625			
Width overall	2098			2137
Cab width	1995			
Height overall	2225	2225	2225	2235
Track width	Front / rear		1665 / 1560	1665 / 1670
Frame height (at end of frame)	845			840
Ground clearance	185			
Cab to rear axle	2275	2875	3325	3775
Cab to end of frame	3545	4270	5020	5520
Maximum body length**	3995	4985	5725	6470
Frame width	750			850
Front overhang	1145			
Rear overhang	1195	1395	1695	1745
Front axle to front of body	625			
Recommended distance cab to body	100			

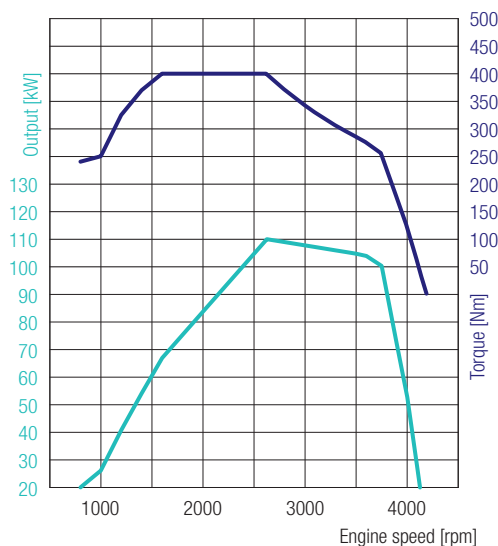
WEIGHTS (KG)

Empty weight*		2520	2550	2570	2615
	Front* / rear*	1645 / 875	1655 / 895	1660 / 910	1670 / 945
Minimum vehicle weight	2660				
Gross vehicle weight / gross combination weight	7490 / 10990				
Axle loads*	Front / rear	3100 / 5800	3100 / 5800	3100 / 5740	3100 / 5680
	Towed weight	Braked / unbraked			
Chassis load bearing capacity*	4970		4940	4920	4875

CALCULATED OUTPUT

Maximum speed	km/h	130			
Minimum turning circle (m)	Kerb to kerb	10.4	12.2	13.8	15.2
	Wall to wall	11.8	13.8	15.2	16.6

* The weight refers to the base vehicle (European series, including coolant, oil, 90% fuel, tyre sealant, tools and driver with 75 kg) without optional equipment. If any optional equipment is added, the weight changes accordingly. ** Calculated maximum value which should be checked depending on the body and application. Subject to change without notice. All data is approximate. The illustrations may contain accessories and items of optional equipment which are not part of the standard specification. The data sheet may contain product types and support services not available in certain countries.



4P10 – 110 kW (150 PS)
 400 Nm@1600 rpm
 110 kW@2626 rpm

CANTER 7C15 LHD

ENGINE (EURO VI)

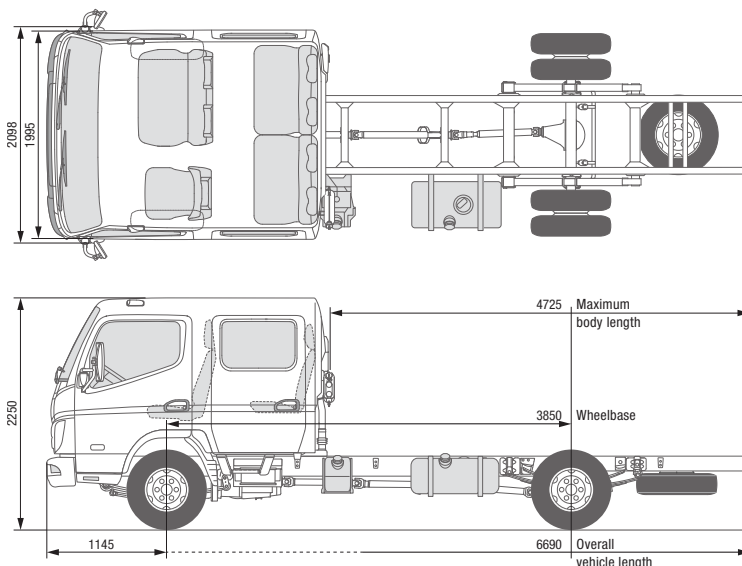
Type	Water-cooled four-stroke diesel engine with turbocharger, intercooler and direct injection			
No. of cylinders	4/in-line			
Capacity	2998 cm ³			
Peak output	110 kW (150 hp) / 2626 rpm			
Rated torque	400 Nm / 1600 rpm			
Diesel particulate filter	Service life approx. 300,000 km			
Alternator	Alternating current 12 V, 140 A			
Exhaust gas aftertreatment	SCR + DPF			
PTO (optional)	Type	31 kW with flange	62 kW with flange	31 kW for directly connected pumps
	Torque at peak output	196 Nm	392 Nm	196 Nm
	Gear ratios	1:0.644	1:0.723	1:0.638
	Engine speed at peak output	1500 rpm		

POWERTRAIN

Transmission	Model	Manual gearbox, 5 forward gears, 1 reverse gear
	Gear ratio	5.494 - 3.193 - 1.689 - 1.000 - 0.723 - reverse 5.494
Rear axle gear ratio	Ratio	4.875

CHASSIS

Front axle / rear axle	Model	F350T / R035T
	Load-bearing capacity front/rear	3100/5800 kg (2800 mm); 3100/5800 kg (3400 mm); 3100/5740 kg (3850 mm); 3100/5680 kg (4300 mm)
Tyres		205/75R17.5C 124/122 M
		Twin tyres at rear, tyres with optimised rolling resistance
Wheel		17.5 x 6.00 - 127 - 9t - 6 wheel bolts
Steering		LHD
		Recirculating-ball steering with power assist, tilting telescopic steering column with steering-wheel lock
Brake	Service brake	Hydraulic with vacuum power assist, dual-circuit with load-dependent brake proportioning valve at rear wheels
	Front / rear	Disc brake (252 x 40)
	Parking brake	Mechanical expanding brake on drive shaft at rear of transmission
	Auxiliary brake	Exhaust brake (50 kW)
Suspension	Front / rear	Semi-elliptic leaf spring with shock absorber and stabiliser
Frame	Type	Ladder-type frame with reinforcements and crossmembers
Fuel tank capacity		100 litres
Electrical system – batteries		12 V (100 AH - 760 A(EN))



CANTER 7C15D

LHD

MODEL / VEHICLE TYPE	7C15D
----------------------	-------

Cab type / crew	Comfort, crew cab / 7
Model variant	46912714
FUSO model code	FEB71GL4WEUX

DIMENSIONS (MM)	
-----------------	--

Wheelbase		3850
Overall length		6690
Cab length		2625
Width overall		2098
Cab width		1995
Height overall		2250
Track width	Front / rear	1665 / 1560
Frame height (at end of frame)		845
Ground clearance		185
Cab to rear axle		2325
Cab to end of frame		4020
Maximum body length**		4725
Frame width		750
Front overhang		1145
Rear overhang		1695
Front axle to front of body		1625
Recommended distance cab to body		100

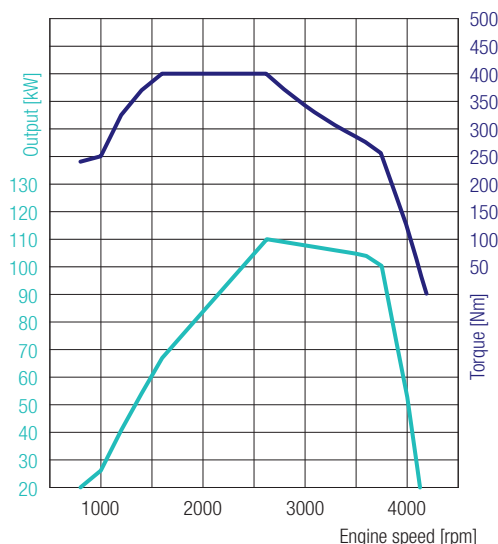
WEIGHTS (KG)	
--------------	--

Empty weight*		2785
	Front* / rear*	1800 / 985
Minimum vehicle weight		2860
Gross vehicle weight / gross combination weight		7490 / 10990
Axle loads*	Front / rear	3100 / 5740
Towed weight	Braked / unbraked	3500 / 750
Chassis load bearing capacity*		4705

CALCULATED OUTPUT		
-------------------	--	--

Maximum speed	km/h	130
Minimum turning circle (m)	Kerb to kerb	13.8
	Wall to wall	15.2

* The weight refers to the base vehicle (European series, including coolant, oil, 90% fuel, tyre sealant, tools and driver with 75 kg) without optional equipment. If any optional equipment is added, the weight changes accordingly. ** Calculated maximum value which should be checked depending on the body and application. Subject to change without notice. All data is approximate. The illustrations may contain accessories and items of optional equipment which are not part of the standard specification. The data sheet may contain product types and support services not available in certain countries.



4P10 – 110 kW (150 PS)
 400 Nm@1600 rpm
 110 kW@2626 rpm

CANTER 7C15D

LHD

ENGINE (EURO VI)

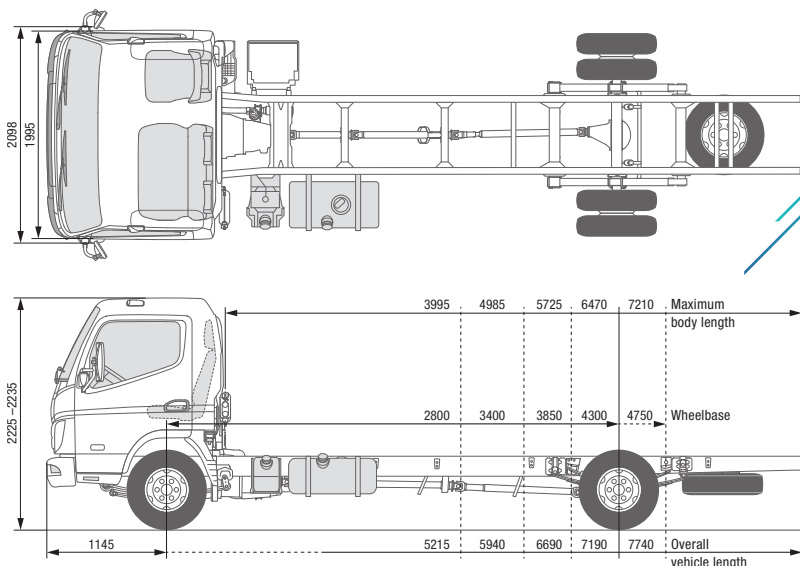
Type	Water-cooled four-stroke diesel engine with turbocharger, intercooler and direct injection			
No. of cylinders	4/in-line			
Capacity	2998 cm ³			
Peak output	110 kW (150 hp) / 2626 rpm			
Rated torque	400 Nm / 1600 rpm			
Diesel particulate filter	Service life approx. 300,000 km			
Alternator	Alternating current 12 V, 140 A			
Exhaust gas aftertreatment	SCR + DPF			
PTO (optional)	Type	31 kW with flange	62 kW with flange	31 kW for directly connected pumps
	Torque at peak output	196 Nm	392 Nm	196 Nm
	Gear ratios	1:0.644	1:0.723	1:0.638
	Engine speed at peak output	1500 rpm		

POWERTRAIN

Transmission	Model	Manual gearbox, 5 forward gears, 1 reverse gear
	Gear ratio	5.494 - 3.193 - 1.689 - 1.000 - 0.723 - reverse 5.494
Rear axle gear ratio	Ratio	4.875

CHASSIS

Front axle / rear axle	Model	F350T / R035T
	Load-bearing capacity front/rear	3100 kg / 5740 kg
Tyres		205/75R17.5C 124/122 M
		Twin tyres at rear, tyres with optimised rolling resistance
Wheel		17.5 x 6.00 - 127 - 9t - 6 wheel bolts
Steering		LHD
		Recirculating-ball steering with power assist, tilting telescopic steering column with steering-wheel lock
Brake	Service brake	Hydraulic with vacuum power assist, dual-circuit with load-dependent brake proportioning valve at rear wheels
	Front / rear	Disc brake (252 x 40)
	Parking brake	Mechanical expanding brake on drive shaft at rear of transmission
	Auxiliary brake	Exhaust brake (50 kW)
Suspension	Front / rear	Semi-elliptic leaf spring with shock absorber and stabiliser
Frame	Type	Ladder-type frame with reinforcements and crossmembers
Fuel tank capacity		100 litres
Electrical system – batteries		12 V (100 AH - 760 A(EN))



CANTER 7C15 RHD

MODEL / VEHICLE TYPE 7C15

Cab type / crew	Comfort, single cab / 3				
Model variant	46912322	46912522	46912722	46912822	46912925
FUSO model code	FEB71CR4SEUX	FEB71ER4SEUX	FEB71GR4SEUX	FEC71HR4SEUX	FEC71KR4SEUX

DIMENSIONS (MM)

Wheelbase		2800	3400	3850	4300	4750
Overall length		5215	5940	6690	7190	7740
Cab length		1625				
Width overall		2098			2137	
Cab width		1995				
Height overall		2225	2225	2225	2235	2235
Track width	Front / rear	1665 / 1560			1665 / 1670	
Frame height (at end of frame)		845			840	845
Ground clearance		185				
Cab to rear axle		2275	2875	3325	3775	4225
Cab to end of frame		3545	4270	5020	5520	6070
Maximum body length**		3995	4985	5725	6470	7210
Frame width		750			850	
Front overhang		1145				
Rear overhang		1195	1395	1695	1745	1845
Front axle to front of body		625				
Recommended distance cab to body		100				

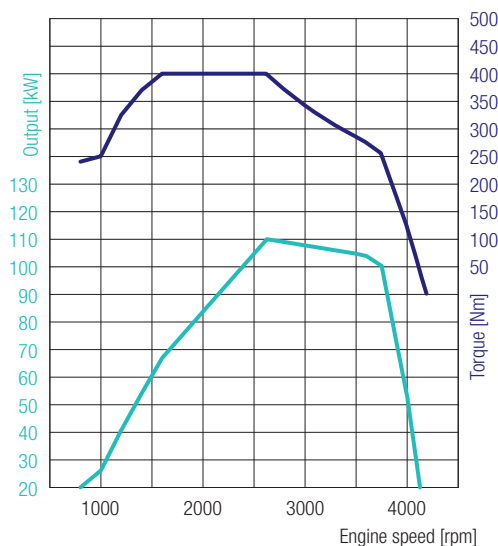
WEIGHTS (KG)

Empty weight*		2520	2550	2570	2615	2635
	Front* / rear*	1645 / 875	1655 / 895	1660 / 910	1670 / 945	1700 / 935
Minimum vehicle weight		2660				
Gross vehicle weight / gross combination weight		7490 / 10990				
Axle loads*	Front / rear	3100 / 5800	3100 / 5800	3100 / 5740	3100 / 5680	3100 / 5640
	Towed weight	Braked / unbraked 3500 / 750				
Chassis load bearing capacity*		4970	4940	4920	4885	4855

CALCULATED OUTPUT

Maximum speed	km/h	130				
Minimum turning circle (m)	Kerb to kerb	10.4	12.2	13.8	15.2	16.6
	Wall to wall	11.8	13.8	15.2	16.6	18.0

* The weight refers to the base vehicle (European series, including coolant, oil, 90% fuel, tyre sealant, tools and driver with 75 kg) without optional equipment. If any optional equipment is added, the weight changes accordingly. ** Calculated maximum value which should be checked depending on the body and application. Subject to change without notice. All data is approximate. The illustrations may contain accessories and items of optional equipment which are not part of the standard specification. The data sheet may contain product types and support services not available in certain countries.



4P10 – 110 kW (150 PS)
 400 Nm@1600 rpm
 110 kW@2626 rpm

CANTER 7C15 RHD

ENGINE (EURO VI)

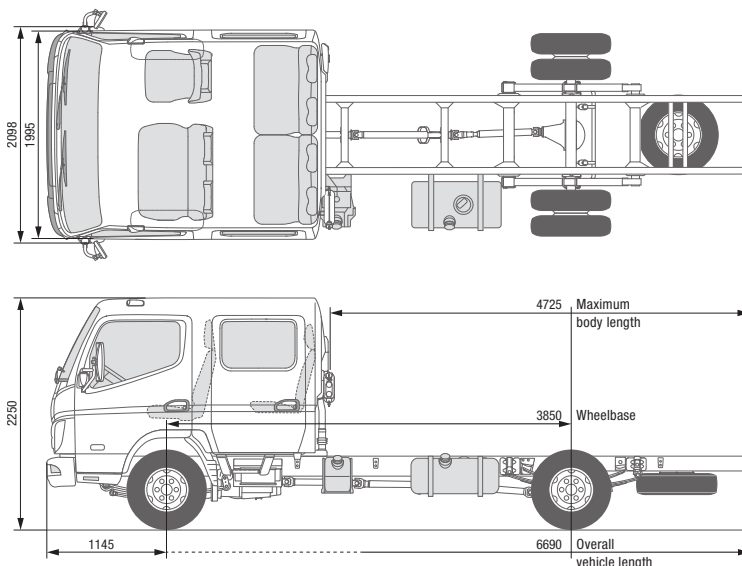
Type	Water-cooled four-stroke diesel engine with turbocharger, intercooler and direct injection			
No. of cylinders	4/in-line			
Capacity	2998 cm ³			
Peak output	110 kW (150 hp) / 2626 rpm			
Rated torque	400 Nm / 1600 rpm			
Diesel particulate filter	Service life approx. 300,000 km			
Alternator	Alternating current 12 V, 140 A			
Exhaust gas aftertreatment	SCR + DPF			
PTO (optional)	Type	31 kW with flange	62 kW with flange	31 kW for directly connected pumps
	Torque at peak output	196 Nm	392 Nm	196 Nm
	Gear ratios	1:0.644	1:0.723	1:0.638
	Engine speed at peak output	1500 rpm		

POWERTRAIN

Transmission	Model	Manual gearbox, 5 forward gears, 1 reverse gear
	Gear ratio	5.494 - 3.193 - 1.689 - 1.000 - 0.723 - reverse 5.494
Rear axle gear ratio	Ratio	4.875

CHASSIS

Front axle / rear axle	Model	F350T / R035T
	Load-bearing capacity front/rear	3.1/5.8 t (2.80 m); 3.1/5.8 t (3.4 m); 3.1/5.74 t (3.85 m); 3.1/5.68 t (4.3 m); 3.1/5.64 t (4.75 m)
Tyres		205/75R17.5C 124/122 M
		Tyres with optimised rolling resistance
Wheel		17.5 x 6.00 - 127 - 9t - 6 wheel bolts
Steering		RHD
		Recirculating-ball steering with power assist, tilting telescopic steering column with steering-wheel lock
Brake	Service brake	Hydraulic with vacuum power assist, dual-circuit with load-dependent brake proportioning valve at rear wheels
	Front / rear	Disc brake (252 x 40)
	Parking brake	Mechanical expanding brake on drive shaft at rear of transmission
	Auxiliary brake	Exhaust brake (50 kW)
Suspension	Front / rear	Semi-elliptic leaf spring with shock absorber and stabiliser
Frame	Type	Ladder-type frame with reinforcements and crossmembers
Fuel tank capacity		100 litres
Electrical system – batteries		12 V (100 AH - 760 A(EN))



CANTER 7C15D RHD

MODEL / VEHICLE TYPE 7C15D

Cab type / crew	Comfort, crew cab / 7
Model variant	46912724
FUSO model code	FEB71GR4WEUX

DIMENSIONS (MM)

Wheelbase		3850
Overall length		6690
Cab length		2625
Width overall		2098
Cab width		1995
Height overall		2250
Track width	Front / rear	1665 / 1560
Frame height (at end of frame)		845
Ground clearance		185
Cab to rear axle		2325
Cab to end of frame		4020
Maximum body length**		4725
Frame width		750
Front overhang		1145
Rear overhang		1695
Front axle to front of body		1625
Recommended distance cab to body		100

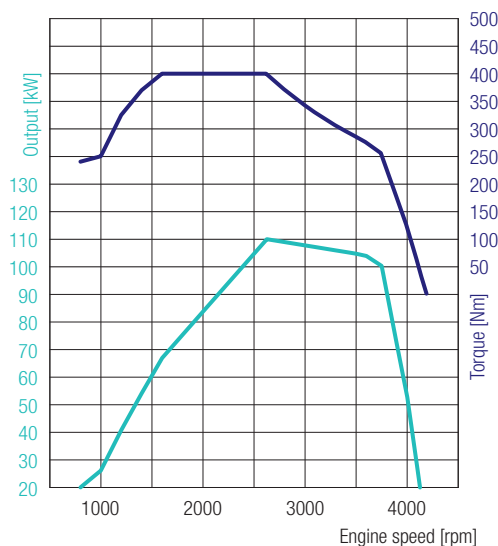
WEIGHTS (KG)

Empty weight*		2785
	Front* / rear*	1800 / 985
Minimum vehicle weight		2860
Gross vehicle weight / gross combination weight		7490 / 10990
Axle loads*	Front / rear	3100 / 5740
Towed weight	Braked / unbraked	3500 / 750
Chassis load bearing capacity*		4705

CALCULATED OUTPUT

Maximum speed	km/h	130
Minimum turning circle (m)	Kerb to kerb	13.8
	Wall to wall	15.2

* The weight refers to the base vehicle (European series, including coolant, oil, 90% fuel, tyre sealant, tools and driver with 75 kg) without optional equipment. If any optional equipment is added, the weight changes accordingly. ** Calculated maximum value which should be checked depending on the body and application. Subject to change without notice. All data is approximate. The illustrations may contain accessories and items of optional equipment which are not part of the standard specification. The data sheet may contain product types and support services not available in certain countries.



4P10 – 110 kW (150 PS)
 400 Nm@1600 rpm
 110 kW@2626 rpm

CANTER 7C15D RHD

ENGINE (EURO VI)

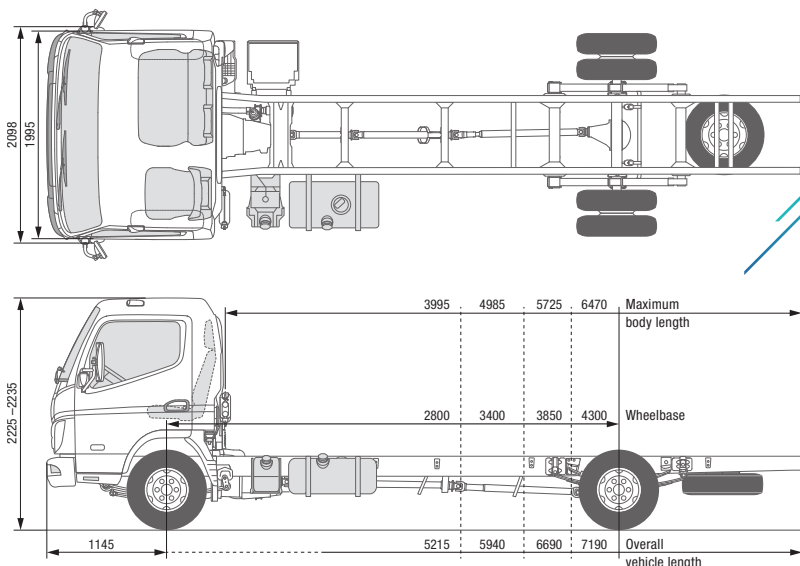
Type	Water-cooled four-stroke diesel engine with turbocharger, intercooler and direct injection			
No. of cylinders	4/in-line			
Capacity	2998 cm ³			
Peak output	110 kW (150 hp) / 2626 rpm			
Rated torque	400 Nm / 1600 rpm			
Diesel particulate filter	Service life approx. 300,000 km			
Alternator	Alternating current 12 V, 140 A			
Exhaust gas aftertreatment	SCR + DPF			
PTO (optional)	Type	31 kW with flange	62 kW with flange	31 kW for directly connected pumps
	Torque at peak output	196 Nm	392 Nm	196 Nm
	Gear ratios	1:0.644	1:0.723	1:0.638
	Engine speed at peak output	1500 rpm		

POWERTRAIN

Transmission	Model	Manual gearbox, 5 forward gears, 1 reverse gear
	Gear ratio	5.494 - 3.193 - 1.689 - 1.000 - 0.723 - reverse 5.494
Rear axle gear ratio	Ratio	4.875

CHASSIS

Front axle / rear axle	Model	F350T / R035T
	Load-bearing capacity front/rear	3100 kg / 5740 kg
Tyres		205/75R17.5C 124/122 M
		Twin tyres at rear, tyres with optimised rolling resistance
Wheel		17.5 x 6.00 - 127 - 9t - 6 wheel bolts
Steering		RHD
		Recirculating-ball steering with power assist, tilting telescopic steering column with steering-wheel lock
Brake	Service brake	Hydraulic with vacuum power assist, dual-circuit with load-dependent brake proportioning valve at rear wheels
	Front / rear	Disc brake (252 x 40)
	Parking brake	Mechanical expanding brake on drive shaft at rear of transmission
	Auxiliary brake	Exhaust brake (50 kW)
Suspension	Front / rear	Semi-elliptic leaf spring with shock absorber and stabiliser
Frame	Type	Ladder-type frame with reinforcements and crossmembers
Fuel tank capacity		100 litres
Electrical system – batteries		12 V (100 AH - 760 A(EN))



CANTER 7C15 DUONIC® 2.0 LHD

MODEL / VEHICLE TYPE 7C15

Cab type / crew	Comfort, single cab / 3			
Model variant	46913312	46913512	46913712	46913812
FUSO model code	FEB71CL3SEUX	FEB71EL3SEUX	FEB71GL3SEUX	FEC71HL3SEUX

DIMENSIONS (MM)

Wheelbase		2800	3400	3850	4300
Overall length		5215	5940	6690	7190
Cab length		1625			
Width overall		2098			
Cab width		1995			
Height overall		2225	2225	2225	2235
Track width	Front / rear	1665 / 1560			
Frame height (at end of frame)		845			
Ground clearance		185			
Cab to rear axle		2275	2875	3325	3775
Cab to end of frame		3545	4270	5020	5520
Maximum body length**		3995	4985	5725	6470
Frame width		750			
Front overhang		1145			
Rear overhang		1195	1395	1695	1745
Front axle to front of body		625			
Recommended distance cab to body		100			

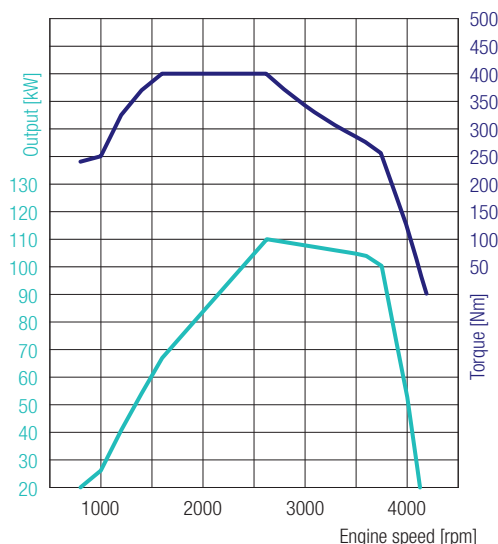
WEIGHTS (KG)

Empty weight*		2530	2565	2585	2625
	Front* / rear*	1655 / 875	1665 / 900	1675 / 910	1685 / 940
Minimum vehicle weight		2660			
Gross vehicle weight / gross combination weight		7490 / 10990			
Axle loads*	Front / rear	3100 / 5800	3100 / 5800	3100 / 5740	3100 / 5680
	Towed weight	Braked / unbraked			
Chassis load bearing capacity*		4960	4925	4905	4865

CALCULATED OUTPUT

Maximum speed	km/h	130			
Minimum turning circle (m)	Kerb to kerb	10.4	12.2	13.8	15.2
	Wall to wall	11.8	13.8	15.2	16.6

* The weight refers to the base vehicle (European series, including coolant, oil, 90% fuel, tyre sealant, tools and driver with 75 kg) without optional equipment. If any optional equipment is added, the weight changes accordingly. ** Calculated maximum value which should be checked depending on the body and application. Subject to change without notice. All data is approximate. The illustrations may contain accessories and items of optional equipment which are not part of the standard specification. The data sheet may contain product types and support services not available in certain countries.



4P10 – 110 kW (150 PS)
 400 Nm@1600 rpm
 110 kW@2626 rpm

CANTER 7C15 DUONIC® 2.0 LHD

ENGINE (EURO VI)

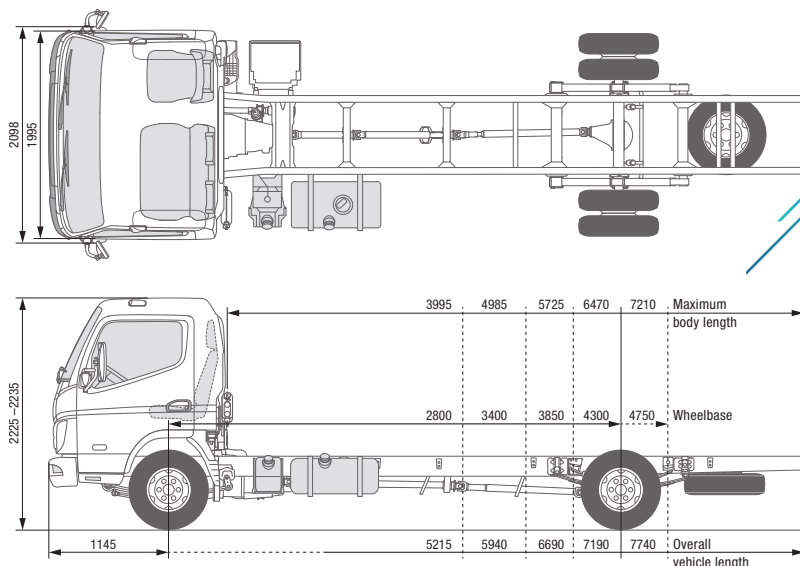
Type	Water-cooled four-stroke diesel engine with turbocharger, intercooler and direct injection			
No. of cylinders	4/in-line			
Capacity	2998 cm ³			
Peak output	110 kW (150 hp) / 2626 rpm			
Rated torque	400 Nm / 1600 rpm			
Diesel particulate filter	Service life approx. 300,000 km			
Alternator	Alternating current 12 V, 140 A			
Exhaust gas aftertreatment	SCR + DPF			
PTO (optional)	Type	31 kW with flange	62 kW with flange	31 kW for directly connected pumps
	Torque at peak output	196 Nm	392 Nm	196 Nm
	Gear ratios	1:0.655	1:0.727	1:0.651
	Engine speed at peak output	1500 rpm		

POWERTRAIN

Transmission	Model	DUONIC® 2.0: Automated transmission with dual clutch, 6 forward speeds and 1 reverse gear
	Gear ratio	5.397 - 3.788 - 2.310 - 1.474 - 1.000 - 0.701 - reverse 5.397
Rear axle gear ratio	Ratio	4.875

CHASSIS

Front axle / rear axle	Model	F350T / R035T
	Load-bearing capacity front/rear	3100 kg / 5680 kg
Tyres		205/75R17.5C 124/122 M
		Twin tyres at rear, tyres with optimised rolling resistance
Wheel		17.5 x 6.00 - 127 - 9t - 6 wheel bolts
Steering		LHD
		Recirculating-ball steering with power assist, tilting telescopic steering column with steering-wheel lock
Brake	Service brake	Hydraulic with vacuum power assist, dual-circuit with load-dependent brake proportioning valve at rear wheels
	Front / rear	Disc brake (252 x 40)
	Parking brake	Mechanical expanding brake on drive shaft at rear of transmission
	Auxiliary brake	Exhaust brake (50 kW)
Suspension	Front / rear	Semi-elliptic leaf spring with shock absorber and stabiliser
Frame	Type	Ladder-type frame with reinforcements and crossmembers
Fuel tank capacity		100 litres
Electrical system – batteries		12 V (100 AH - 760 A(EN))



CANTER 7C15 DUONIC® 2.0 RHD

MODEL / VEHICLE TYPE 7C15

Cab type / crew	Comfort, single cab / 3				
Model variant	46913322	46913522	46913722	46913822	46913925
FUSO model code	FEB71CR3SEUX	FEB71ER3SEUX	FEB71GR3SEUX	FEC71HR3SEUX	FEC71KR3SEUX

DIMENSIONS (MM)

Wheelbase		2800	3400	3850	4300	4750
Overall length		5215	5940	6690	7190	7740
Cab length		1625				
Width overall		2098			2137	
Cab width		1995				
Height overall		2225			2235	
Track width	Front / rear	1665 / 1560			1665 / 1670	
Frame height (at end of frame)		845			840	845
Ground clearance		185				
Cab to rear axle		2275	2875	3325	3775	4225
Cab to end of frame		3545	4270	5020	5520	6070
Maximum body length**		3995	4985	5725	6470	7210
Frame width		750			850	
Front overhang		1145				
Rear overhang		1195	1395	1695	1745	1845
Front axle to front of body		625				
Recommended distance cab to body		100				

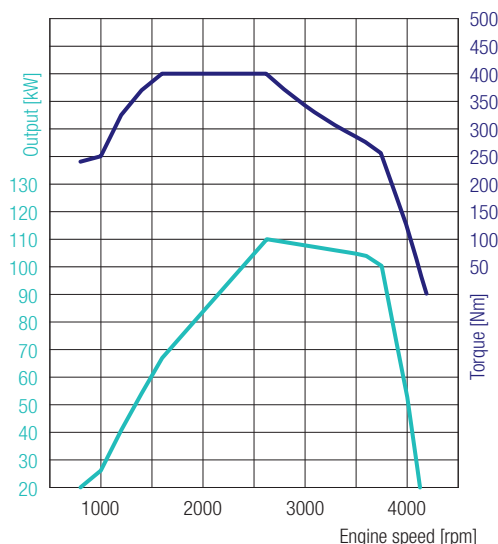
WEIGHTS (KG)

Empty weight*		2530	2565	2585	2625	2645
	Front* / rear*	1655 / 875	1655 / 900	1675 / 910	1685 / 940	1700 / 945
Minimum vehicle weight		2660				
Gross vehicle weight / gross combination weight		7490 / 10990				
Axle loads*	Front / rear	3100 / 5800	3100 / 5800	3100 / 5740	3100 / 5680	3100 / 5640
Towed weight	Braked / unbraked	3500 / 750				
Chassis load bearing capacity*		4960	4925	4905	4865	4865

CALCULATED OUTPUT

Maximum speed	km/h	130				
Minimum turning circle (m)	Kerb to kerb	10.4	12.2	13.8	15.2	16.6
	Wall to wall	11.8	13.8	15.2	16.6	18.0

* The weight refers to the base vehicle (European series, including coolant, oil, 90% fuel, tyre sealant, tools and driver with 75 kg) without optional equipment. If any optional equipment is added, the weight changes accordingly. ** Calculated maximum value which should be checked depending on the body and application. Subject to change without notice. All data is approximate. The illustrations may contain accessories and items of optional equipment which are not part of the standard specification. The data sheet may contain product types and support services not available in certain countries.



CANTER 7C15 DUONIC® 2.0 RHD

4P10 – 110 kW (150 PS)
 400 Nm@1600 rpm
 110 kW@2626 rpm

ENGINE (EURO VI)

Type	Water-cooled four-stroke diesel engine with turbocharger, intercooler and direct injection			
No. of cylinders	4/in-line			
Capacity	2998 cm ³			
Peak output	110 kW (150 hp) / 2626 rpm			
Rated torque	400 Nm / 1600 rpm			
Diesel particulate filter	Service life approx. 300,000 km			
Alternator	Alternating current 12 V, 140 A			
Exhaust gas aftertreatment	SCR + DPF			
PTO (optional)	Type	31 kW with flange	62 kW with flange	31 kW for directly connected pumps
	Torque at peak output	196 Nm	392 Nm	196 Nm
	Gear ratios	1:0.655	1:0.727	1:0.651
	Engine speed at peak output	1500 rpm		

POWERTRAIN

Transmission	Model	DUONIC® 2.0: Automated transmission with dual clutch, 6 forward speeds and 1 reverse gear
	Gear ratio	5.397 - 3.788 - 2.310 - 1.474 - 1.000 - 0.701 - reverse 5.397
Rear axle gear ratio	Ratio	4.875

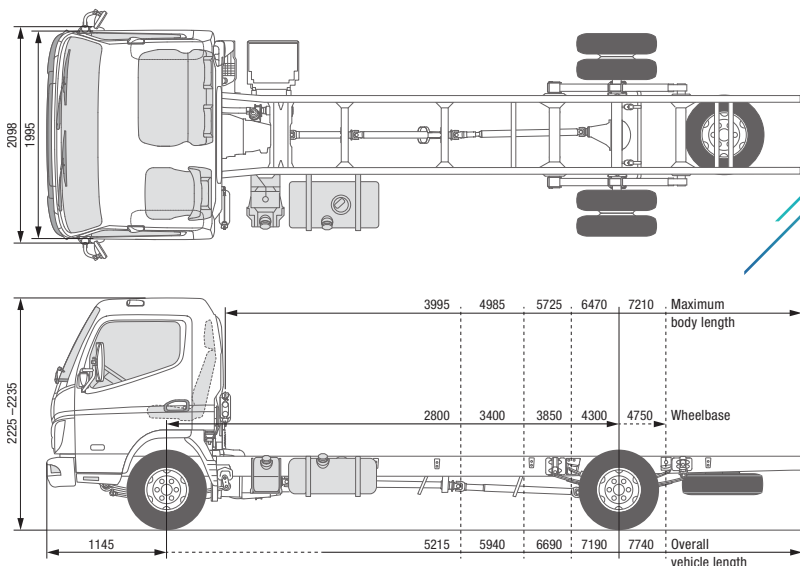
CHASSIS

Front axle / rear axle	Model	F350T / R035T
	Load-bearing capacity front/rear	3.1/5.8 t (2.80 m); 3.1/5.8 t (3.4 m); 3.1/5.74 t (3.85 m); 3.1/5.68 t (4.3 m); 3.1/5.64 t (4.75 m)
Tyres		205/75R17.5C 124/122 M
		Twin tyres at rear, tyres with optimised rolling resistance
Wheel		17.5 x 6.00 - 127 - 9t - 6 wheel bolts
Steering		RHD
		Recirculating-ball steering with power assist, tilting telescopic steering column with steering-wheel lock
Brake	Service brake	Hydraulic with vacuum power assist, dual-circuit with load-dependent brake proportioning valve at rear wheels
	Front / rear	Disc brake (252 x 40)
	Parking brake	Mechanical expanding brake on drive shaft at rear of transmission
	Auxiliary brake	Exhaust brake (50 kW)
Suspension	Front / rear	Semi-elliptic leaf spring with shock absorber and stabiliser
Frame	Type	Ladder-type frame with reinforcements and crossmembers
Fuel tank capacity		100 litres
Electrical system – batteries		12 V (100 AH - 760 A(EN))



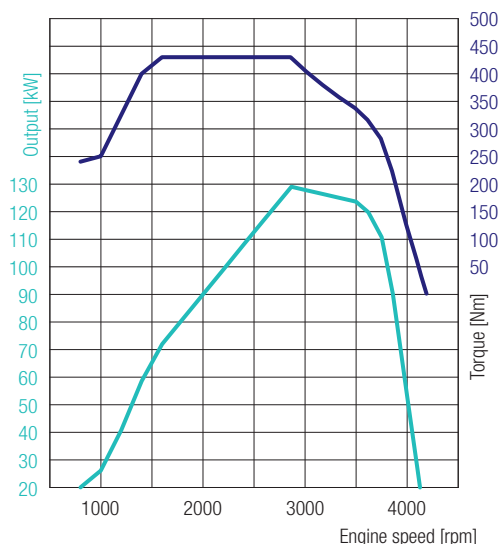
CANTER 7C18

LHD



MODEL / VEHICLE TYPE		7C18				
Cab type / crew		Comfort, single cab / 3				
Model variant		46915312	46915512	46915712	46915812	46915915
FUSO model code		FEB71CL4SEUY	FEB71EL4SEUY	FEB71GL4SEUY	FEC71HL4SEUY	FEC71KL4SEUY
DIMENSIONS (MM)						
Wheelbase		2800	3400	3850	4300	4750
Overall length		5215	5940	6690	7190	7740
Cab length		1625				
Width overall		2098			2137	
Cab width		1995				
Height overall		2225			2235	
Track width		Front / rear		1665 / 1560		1665 / 1670
Frame height (at end of frame)		845			840	845
Ground clearance		185				
Cab to rear axle		2275	2875	3325	3775	4225
Cab to end of frame		3545	4270	5020	5520	6070
Maximum body length**		3995	4985	5725	6470	7210
Frame width		750			850	
Front overhang		1145				
Rear overhang		1195	1395	1695	1745	1845
Front axle to front of body		625				
Recommended distance cab to body		100				
WEIGHTS (KG)						
Empty weight*		2520	2550	2570	2615	2635
Front* / rear*		1645 / 875	1655 / 895	1660 / 910	1670 / 945	1700 / 935
Minimum vehicle weight		2660				
Gross vehicle weight / gross combination weight		7490 / 10990				
Axle loads*		Front / rear		3100 / 5800		
Towed weight		Braked / unbraked		3500 / 750		
Chassis load bearing capacity*		4970	4940	4920	4875	4855
CALCULATED OUTPUT						
Maximum speed		km/h		130		
Minimum turning circle (m)		Kerb to kerb		12.2	12.2	13.8
		Wall to wall		13.8	13.8	15.2

* The weight refers to the base vehicle (European series, including coolant, oil, 90% fuel, tyre sealant, tools and driver with 75 kg) without optional equipment. If any optional equipment is added, the weight changes accordingly. ** Calculated maximum value which should be checked depending on the body and application. Subject to change without notice. All data is approximate. The illustrations may contain accessories and items of optional equipment which are not part of the standard specification. The data sheet may contain product types and support services not available in certain countries.



4P10 – 129 kW (175 PS)
 430 Nm@1600 rpm
 129 kW@2865 rpm

CANTER 7C18 LHD

ENGINE (EURO VI)

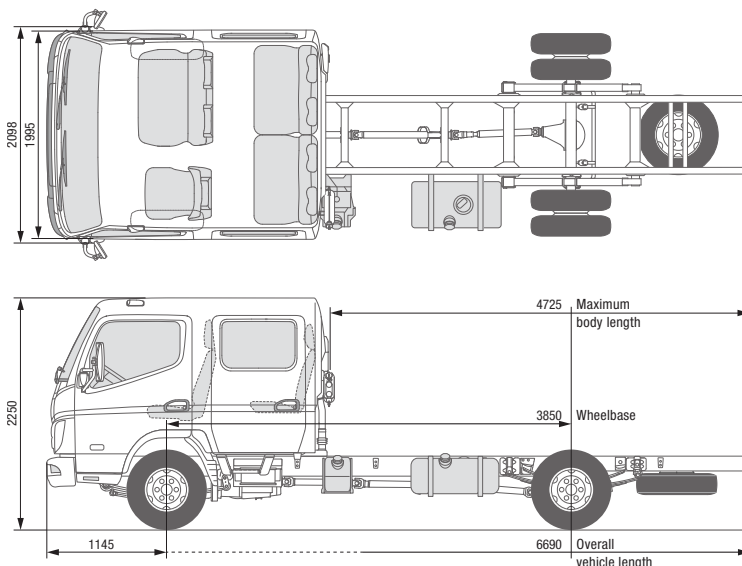
Type	Water-cooled four-stroke diesel engine with turbocharger, intercooler and direct injection			
No. of cylinders	4/in-line			
Capacity	2998 cm ³			
Peak output	129 kW (175 hp) / 2865 rpm			
Rated torque	430 Nm / 1600 rpm			
Diesel particulate filter	Service life approx. 300,000 km			
Alternator	Alternating current 12 V, 140 A			
Exhaust gas aftertreatment	SCR + DPF			
PTO (optional)	Type	31 kW with flange	62 kW with flange	31 kW for directly connected pumps
	Torque at peak output	196 Nm	392 Nm	196 Nm
	Gear ratios	1:0.644	1:0.723	1:0.638
	Engine speed at peak output	1500 rpm		

POWERTRAIN

Transmission	Model	Manual gearbox, 5 forward gears, 1 reverse gear
	Gear ratio	5.494 - 3.193 - 1.689 - 1.000 - 0.723 - reverse 5.494
Rear axle gear ratio	Ratio	4.875

CHASSIS

Front axle / rear axle	Model	F350T / R035T
	Load-bearing capacity front/rear	3.1/5.8 t (2.80 m); 3.1/5.8 t (3.4 m); 3.1/5.74 t (3.85 m); 3.1/5.68 t (4.3 m); 3.1/5.64 t (4.75 m)
Tyres		205/75R17.5C 124/122 M
		Twin tyres at rear, tyres with optimised rolling resistance
Wheel		17.5 x 6.00 - 127 - 9t - 6 wheel bolts
Steering		LHD
		Recirculating-ball steering with power assist, tilting telescopic steering column with steering-wheel lock
Brake	Service brake	Hydraulic with vacuum power assist, dual-circuit with load-dependent brake proportioning valve at rear wheels
	Front / rear	Disc brake (252 x 40)
	Parking brake	Mechanical expanding brake on drive shaft at rear of transmission
	Auxiliary brake	Exhaust brake (50 kW)
Suspension	Front / rear	Semi-elliptic leaf spring with shock absorber and stabiliser
Frame	Type	Ladder-type frame with reinforcements and crossmembers
Fuel tank capacity		100 litres
Electrical system – batteries		12 V (100 AH - 760 A(EN))



CANTER 7C18D

LHD

MODEL / VEHICLE TYPE		7C18D
----------------------	--	-------

Cab type / crew		Comfort, crew cab / 7
Model variant		46915714
FUSO model code		FEB71GL4WEUY

DIMENSIONS (MM)		
-----------------	--	--

Wheelbase		3850
Overall length		6690
Cab length		2625
Width overall		2098
Cab width		1995
Height overall		2250
Track width	Front / rear	1665 / 1560
Frame height (at end of frame)		845
Ground clearance		185
Cab to rear axle		2325
Cab to end of frame		4020
Maximum body length**		4725
Frame width		750
Front overhang		1145
Rear overhang		1695
Front axle to front of body		1625
Recommended distance cab to body		100

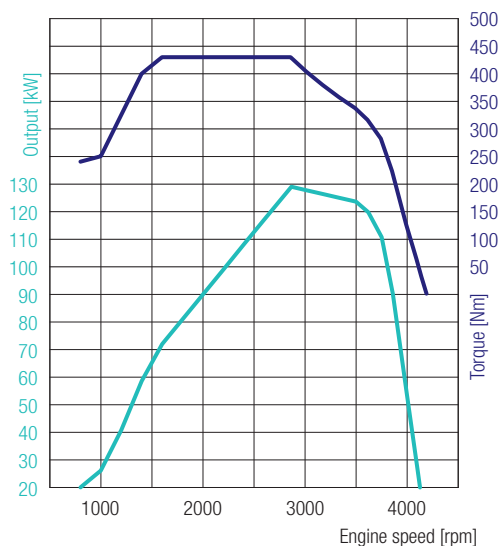
WEIGHTS (KG)		
--------------	--	--

Empty weight*		2785
	Front* / rear*	1800 / 985
Minimum vehicle weight		2860
Gross vehicle weight / gross combination weight		7490 / 10990
Axle loads*	Front / rear	3100 / 5740
	Braked / unbraked	3500 / 750
Chassis load bearing capacity*		4705

CALCULATED OUTPUT		
-------------------	--	--

Maximum speed	km/h	130
Minimum turning circle (m)	Kerb to kerb	13.8
	Wall to wall	15.2

* The weight refers to the base vehicle (European series, including coolant, oil, 90% fuel, tyre sealant, tools and driver with 75 kg) without optional equipment. If any optional equipment is added, the weight changes accordingly. ** Calculated maximum value which should be checked depending on the body and application. Subject to change without notice. All data is approximate. The illustrations may contain accessories and items of optional equipment which are not part of the standard specification. The data sheet may contain product types and support services not available in certain countries.



CANTER 7C18D LHD

4P10 – 129 kW (175 PS)
430 Nm@1600 rpm
129 kW@2865 rpm

ENGINE (EURO VI)

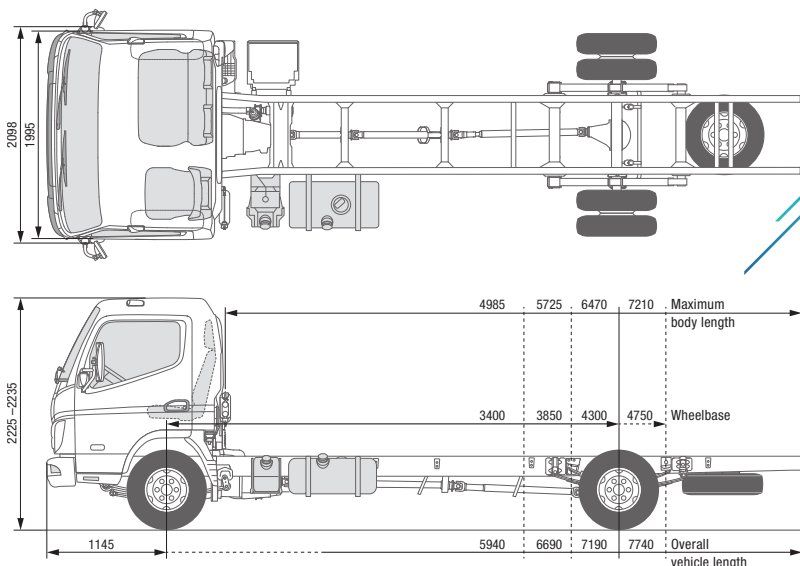
Type	Water-cooled four-stroke diesel engine with turbocharger, intercooler and direct injection			
No. of cylinders	4/in-line			
Capacity	2998 cm ³			
Peak output	129 kW (175 hp) / 2865 rpm			
Rated torque	430 Nm / 1600 rpm			
Diesel particulate filter	Service life approx. 300,000 km			
Alternator	Alternating current 12 V, 140 A			
Exhaust gas aftertreatment	SCR + DPF			
PTO (optional)	Type	31 kW with flange	62 kW with flange	31 kW for directly connected pumps
	Torque at peak output	196 Nm	392 Nm	196 Nm
	Gear ratios	1:0.644	1:0.723	1:0.638
	Engine speed at peak output	1500 rpm		

POWERTRAIN

Transmission	Model	Manual gearbox, 5 forward gears, 1 reverse gear
	Gear ratio	5.494 - 3.193 - 1.689 - 1.000 - 0.723 - reverse 5.494
Rear axle gear ratio	Ratio	4.875

CHASSIS

Front axle / rear axle	Model	F350T / R035T
	Load-bearing capacity front/rear	3100 kg / 5740 kg
Tyres		205/75R17.5C 124/122 M
		Tyres with optimised rolling resistance
Wheel		17.5 x 6.00 - 127 - 9t - 6 wheel bolts
Steering		LHD
		Recirculating-ball steering with power assist, tilting telescopic steering column with steering-wheel lock
Brake	Service brake	Hydraulic with vacuum power assist, dual-circuit with load-dependent brake proportioning valve at rear wheels
	Front / rear	Disc brake (252 x 40)
	Parking brake	Mechanical expanding brake on drive shaft at rear of transmission
	Auxiliary brake	Exhaust brake (50 kW)
Suspension	Front / rear	Semi-elliptic leaf spring with shock absorber and stabiliser
Frame	Type	Ladder-type frame with reinforcements and crossmembers
Fuel tank capacity		100 litres
Electrical system – batteries		12 V (100 AH - 760 A(EN))



CANTER 7C18 DUONIC® 2.0 LHD

MODEL / VEHICLE TYPE

	7C18			
Cab type / crew	Comfort, single cab / 3			
Model variant	46916512	46916712	46916812	46916915
FUSO model code	FEB71EL3SEUY	FEB71GL3SEUY	FEC71HL3SEUY	FEC71KL3SEUY

DIMENSIONS (MM)

Wheelbase		3400	3850	4300	4750
Overall length		5940	6690	7190	7740
Cab length		1625			
Width overall		2098		2137	
Cab width		1995			
Height overall		2225		2235	
Track width	Front / rear	1665 / 1560		1665 / 1670	
Frame height (at end of frame)		830			
Ground clearance		185			
Cab to rear axle		2875	3325	3775	4225
Cab to end of frame		4270	5020	5520	6070
Maximum body length**		4985	5725	6470	7210
Frame width		750		850	
Front overhang		1145			
Rear overhang		1395	1695	1745	1845
Front axle to front of body		625			
Recommended distance cab to body		100			

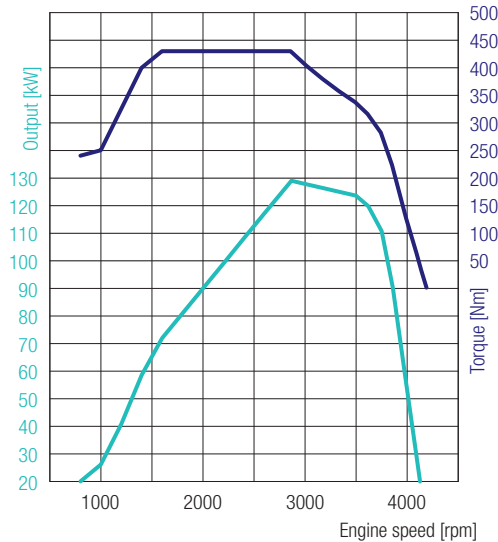
WEIGHTS (KG)

Empty weight*		2565	2585	2625	2645
	Front* / rear*	1665 / 900	1675 / 910	1685 / 940	1700 / 945
Minimum vehicle weight		2660			
Gross vehicle weight / gross combination weight		7490 / 10990			
Axle loads*	Front / rear	3100 / 5800	3100 / 5740	3100 / 5680	3100 / 5640
	Towed weight	Braked / unbraked 3500 / 750			
Chassis load bearing capacity*		4925	4905	4865	4865

CALCULATED OUTPUT

Maximum speed	km/h	130			
Minimum turning circle (m)	Kerb to kerb	12.2	13.8	15.2	16.6
	Wall to wall	13.8	15.2	16.6	18.0

* The weight refers to the base vehicle (European series, including coolant, oil, 90% fuel, tyre sealant, tools and driver with 75 kg) without optional equipment. If any optional equipment is added, the weight changes accordingly. ** Calculated maximum value which should be checked depending on the body and application. Subject to change without notice. All data is approximate. The illustrations may contain accessories and items of optional equipment which are not part of the standard specification. The data sheet may contain product types and support services not available in certain countries.



CANTER 7C18 DUONIC® 2.0 LHD

4P10 – 129 kW (175 PS)
 430 Nm@1600 rpm
 129 kW@2865 rpm

ENGINE (EURO VI)

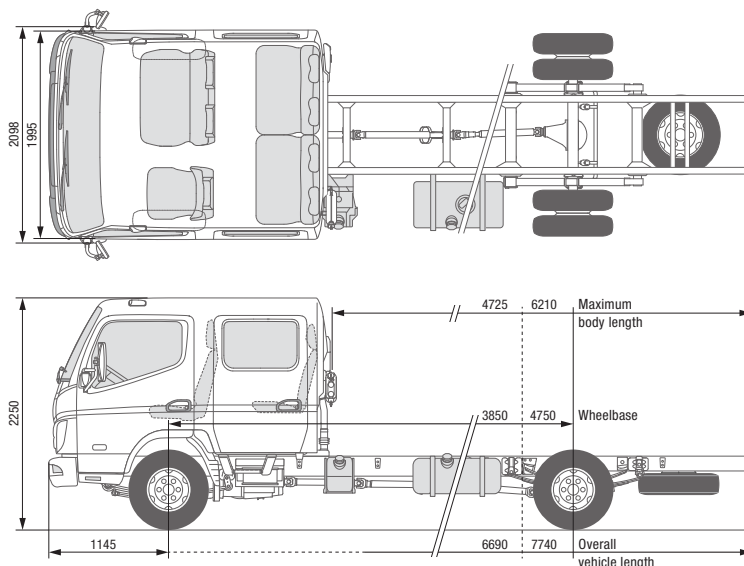
Type	Water-cooled four-stroke diesel engine with turbocharger, intercooler and direct injection			
No. of cylinders	4/in-line			
Capacity	2998 cm ³			
Peak output	129 kW (175 hp) / 2865 rpm			
Rated torque	430 Nm / 1600 rpm			
Diesel particulate filter	Service life approx. 300,000 km			
Alternator	Alternating current 12 V, 140 A			
Exhaust gas aftertreatment	SCR + DPF			
PTO (optional)	Type	31 kW with flange	62 kW with flange	31 kW for directly connected pumps
	Torque at peak output	196 Nm	392 Nm	196 Nm
	Gear ratios	1:0.655	1:0.727	1:0.651
	Engine speed at peak output	1500 rpm		

POWERTRAIN

Transmission	Model	DUONIC® 2.0: Automated transmission with dual clutch, 6 forward speeds and 1 reverse gear		
	Gear ratio	5.397 - 3.788 - 2.310 - 1.474 - 1.000 - 0.701 - reverse 5.397		
Rear axle gear ratio	Ratio	4.875		

CHASSIS

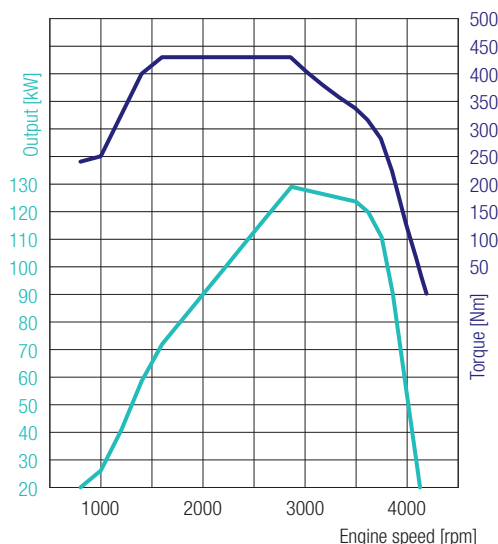
Front axle / rear axle	Model	F350T / R035T		
	Load-bearing capacity front/rear	3100/5800 kg (3400 mm); 3100/5740 kg (3850 mm); 3100/5680 kg (4300 mm); 3100/5640 kg (4750 mm)		
Tyres		205/75R17.5C 124/122 M		
		Tyres with optimised rolling resistance		
Wheel		17.5 x 6.00 - 127 - 9t - 6 wheel bolts		
Steering		LHD		
		Recirculating-ball steering with power assist, tilting telescopic steering column with steering-wheel lock		
Brake	Service brake	Hydraulic with vacuum power assist, dual-circuit with load-dependent brake proportioning valve at rear wheels		
	Front / rear	Disc brake (252 x 40)		
	Parking brake	Mechanical expanding brake on drive shaft at rear of transmission		
	Auxiliary brake	Exhaust brake (50 kW)		
Suspension	Front / rear	Semi-elliptic leaf spring with shock absorber and stabiliser		
Frame	Type	Ladder-type frame with reinforcements and crossmembers		
Fuel tank capacity		100 litres		
Electrical system – batteries		12 V (100 AH - 760 A(EN))		



CANTER 7C18D DUONIC® 2.0 LHD

MODEL / VEHICLE TYPE		7C18D	
Cab type / crew		Comfort, crew cab / 7	
Model variant		46916714	46916914
FUSO model code		FEB71GL3WEUY	FEC71KL3WEUY
DIMENSIONS (MM)			
Wheelbase		3850	4750
Overall length		6690	7740
Cab length		2625	
Width overall		2098	2137
Cab width		1995	
Height overall		2250	
Track width		Front / rear	1665 / 1560
Frame height (at end of frame)		845	
Ground clearance		185	
Cab to rear axle		2325	3225
Cab to end of frame		4020	5070
Maximum body length**		4725	6210
Frame width		750	850
Front overhang		1145	
Rear overhang		1695	1845
Front axle to front of body		1625	
Recommended distance cab to body		100	
WEIGHTS (KG)			
Empty weight*		2805	2870
Front* / rear*		1820 / 985	1865 / 1005
Minimum vehicle weight		2860	
Gross vehicle weight / gross combination weight		7490 / 10990	
Axle loads*		Front / rear	3100 / 5740
Towed weight		Braked / unbraked	3500 / 750
Chassis load bearing capacity*		4685	4620
CALCULATED OUTPUT			
Maximum speed		km/h	130
Minimum turning circle (m)		Kerb to kerb	13.8
		Wall to wall	15.2

* The weight refers to the base vehicle (European series, including coolant, oil, 90% fuel, tyre sealant, tools and driver with 75 kg) without optional equipment. If any optional equipment is added, the weight changes accordingly. ** Calculated maximum value which should be checked depending on the body and application.
Subject to change without notice. All data is approximate. The illustrations may contain accessories and items of optional equipment which are not part of the standard specification. The data sheet may contain product types and support services not available in certain countries.



4P10 – 129 kW (175 PS)
 430 Nm@1600 rpm
 129 kW@2865 rpm

CANTER 7C18D DUONIC® 2.0 LHD

ENGINE (EURO VI)

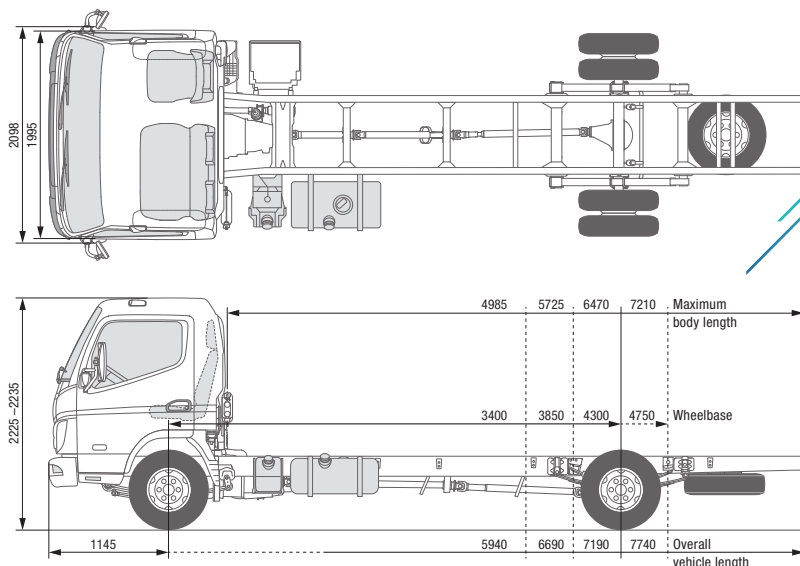
Type	Water-cooled four-stroke diesel engine with turbocharger, intercooler and direct injection			
No. of cylinders	4/in-line			
Capacity	2998 cm ³			
Peak output	129 kW (175 hp) / 2865 rpm			
Rated torque	430 Nm / 1600 rpm			
Diesel particulate filter	Service life approx. 300,000 km			
Alternator	Alternating current 12 V, 140 A			
Exhaust gas aftertreatment	SCR + DPF			
PTO (optional)	Type	31 kW with flange	62 kW with flange	31 kW for directly connected pumps
	Torque at peak output	196 Nm	392 Nm	196 Nm
	Gear ratios	1:0.655	1:0.727	1:0.651
	Engine speed at peak output	1500 rpm		

POWERTRAIN

Transmission	Model	DUONIC® 2.0: Automated transmission with dual clutch, 6 forward speeds and 1 reverse gear		
	Gear ratio	5.397 - 3.788 - 2.310 - 1.474 - 1.000 - 0.701 - reverse 5.397		
Rear axle gear ratio	Ratio	4.875		

CHASSIS

Front axle / rear axle	Model	F350T / R035T		
	Load-bearing capacity front/rear	3100 kg / 5740 kg (3850 mm)		3100 kg / 5640 kg (4750 mm)
Tyres		205/75R17.5C 124/122 M		
		Twin tyres at rear, tyres with optimised rolling resistance		
Wheel		17.5 x 6.00 - 127 - 9t - 6 wheel bolts		
Steering		LHD		
		Recirculating-ball steering with power assist, tilting telescopic steering column with steering-wheel lock		
Brake	Service brake	Hydraulic with vacuum power assist, dual-circuit with load-dependent brake proportioning valve at rear wheels		
	Front / rear	Disc brake (252 x 40)		
	Parking brake	Mechanical expanding brake on drive shaft at rear of transmission		
	Auxiliary brake	Exhaust brake (50 kW)		
Suspension	Front / rear	Semi-elliptic leaf spring with shock absorber and stabiliser		
Frame	Type	Ladder-type frame with reinforcements and crossmembers		
Fuel tank capacity		100 litres		
Electrical system – batteries		12 V (100 AH - 760 A(EN))		



CANTER 7C18 DUONIC® 2.0 RHD

MODEL / VEHICLE TYPE 7C18

Cab type / crew	Comfort, single cab / 3			
Model variant	46916522	46916722	46916822	46916925
FUSO model code	FEB71ER3SEUY	FEB71GR3SEUY	FEC71HR3SEUY	FEC71KR3SEUY

DIMENSIONS (MM)

Wheelbase		3400	3850	4300	4750
Overall length		5940	6690	7190	7740
Cab length		1625			
Width overall		2098		2137	
Cab width		1995			
Height overall		2225		2235	
Track width	Front / rear	1665 / 1560		1665 / 1670	
Frame height (at end of frame)		845		840	845
Ground clearance		185			
Cab to rear axle		2875	3325	3775	4225
Cab to end of frame		4270	5020	5520	6070
Maximum body length**		4985	5725	6470	7210
Frame width		750		850	
Front overhang		1145			
Rear overhang		1395	1695	1745	1845
Front axle to front of body		625			
Recommended distance cab to body		100			

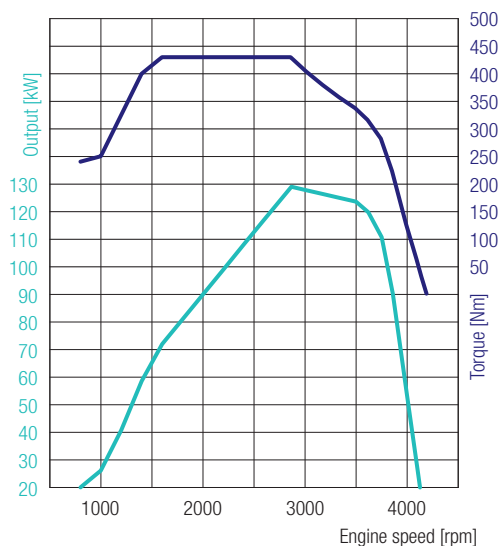
WEIGHTS (KG)

Empty weight*		2565	2585	2625	2645
	Front* / rear*	1665 / 900	1675 / 910	1685 / 940	1700 / 945
Minimum vehicle weight		2660			
Gross vehicle weight / gross combination weight		7490 / 10990			
Axle loads*	Front / rear	3100 / 5800	3100 / 5740	3100 / 5680	3100 / 5640
	Towed weight	Braked / unbraked 3500 / 750			
Chassis load bearing capacity*		4925	4905	4865	4845

CALCULATED OUTPUT

Maximum speed	km/h	130			
Minimum turning circle (m)	Kerb to kerb	12.2	13.8	15.2	16.6
	Wall to wall	13.8	15.2	16.6	18.0

* The weight refers to the base vehicle (European series, including coolant, oil, 90% fuel, tyre sealant, tools and driver with 75 kg) without optional equipment. If any optional equipment is added, the weight changes accordingly. ** Calculated maximum value which should be checked depending on the body and application. Subject to change without notice. All data is approximate. The illustrations may contain accessories and items of optional equipment which are not part of the standard specification. The data sheet may contain product types and support services not available in certain countries.



CANTER 7C18 DUONIC® 2.0 RHD

4P10 – 129 kW (175 PS)
 430 Nm@1600 rpm
 129 kW@2865 rpm

ENGINE (EURO VI)

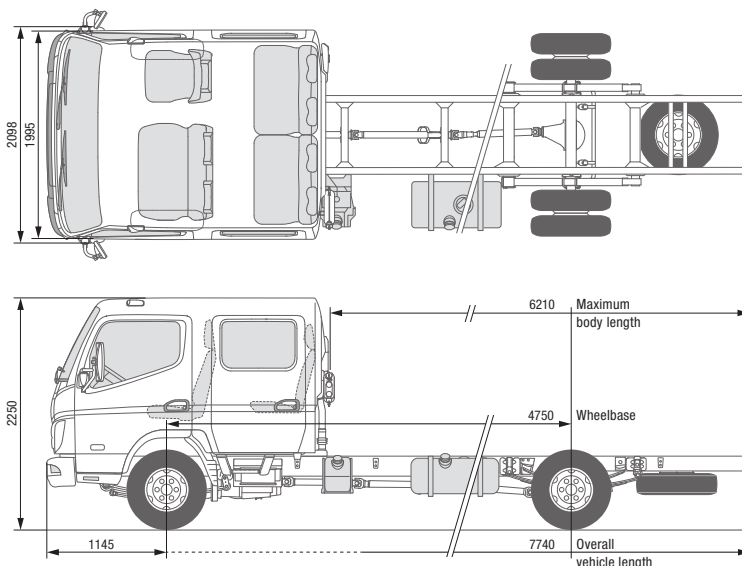
Type	Water-cooled four-stroke diesel engine with turbocharger, intercooler and direct injection			
No. of cylinders	4/in-line			
Capacity	2998 cm ³			
Peak output	129 kW (175 hp) / 2865 rpm			
Rated torque	430 Nm / 1600 rpm			
Diesel particulate filter	Service life approx. 300,000 km			
Alternator	Alternating current 12 V, 140 A			
Exhaust gas aftertreatment	SCR + DPF			
PTO (optional)	Type	31 kW with flange	62 kW with flange	31 kW for directly connected pumps
	Torque at peak output	196 Nm	392 Nm	196 Nm
	Gear ratios	1:0.655	1:0.727	1:0.651
	Engine speed at peak output	1500 rpm		

POWERTRAIN

Transmission	Model	DUONIC® 2.0: Automated transmission with dual clutch, 6 forward speeds and 1 reverse gear
	Gear ratio	5.397 - 3.788 - 2.310 - 1.474 - 1.000 - 0.701 - reverse 5.397
Rear axle gear ratio	Ratio	4.875

CHASSIS

Front axle / rear axle	Model	F350T / R035T
	Load-bearing capacity front/rear	3100/5800 kg (3400 mm); 3100/5740 kg (3850 mm); 3100/5680 kg (4300 mm); 3100/5640 kg (4750 mm)
Tyres		205/75R17.5C 124/122 M
		Twin tyres at rear, tyres with optimised rolling resistance
Wheel		17.5 x 6.00 - 127 - 9t - 6 wheel bolts
Steering		RHD
		Recirculating-ball steering with power assist, tilting telescopic steering column with steering-wheel lock
Brake	Service brake	Hydraulic with vacuum power assist, dual-circuit with load-dependent brake proportioning valve at rear wheels
	Front / rear	Disc brake (252 x 40)
	Parking brake	Mechanical expanding brake on drive shaft at rear of transmission
	Auxiliary brake	Exhaust brake (50 kW)
Suspension	Front / rear	Semi-elliptic leaf spring with shock absorber and stabiliser
Frame	Type	Ladder-type frame with reinforcements and crossmembers
Fuel tank capacity		100 litres
Electrical system – batteries		12 V (100 AH - 760 A(EN))



CANTER 7C18D DUONIC® 2.0 RHD

MODEL / VEHICLE TYPE 7C18D

Cab type / crew	Comfort, crew cab / 7
Model variant	46916924
FUSO model code	FEC71KR3WEUY

DIMENSIONS (MM)

Wheelbase		4750
Overall length		7740
Cab length		2625
Width overall		2137
Cab width		1995
Height overall		2250
Track width	Front / rear	1665 / 1670
Frame height (at end of frame)		845
Ground clearance		185
Cab to rear axle		3225
Cab to end of frame		5070
Maximum body length**		6210
Frame width		850
Front overhang		1145
Rear overhang		1845
Front axle to front of body		1625
Recommended distance cab to body		100

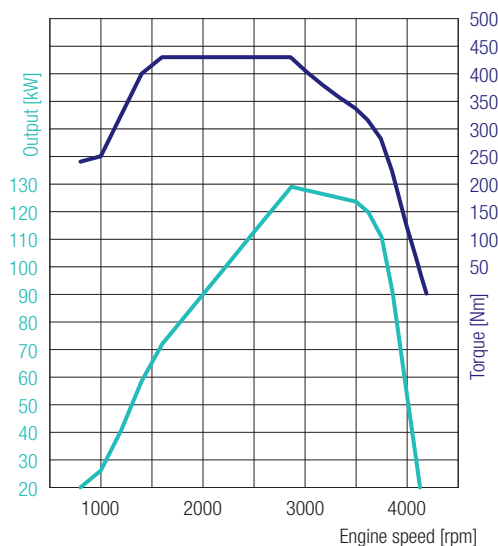
WEIGHTS (KG)

Empty weight*		2870
	Front* / rear*	1865 / 1005
Minimum vehicle weight		2860
Gross vehicle weight / gross combination weight		7490 / 10990
Axle loads*	Front / rear	3100 / 5640
Towed weight	Braked / unbraked	3500 / 750
Chassis load bearing capacity*		4620

CALCULATED OUTPUT

Maximum speed	km/h	130
Minimum turning circle (m)	Kerb to kerb	16.6
	Wall to wall	18.0

* The weight refers to the base vehicle (European series, including coolant, oil, 90% fuel, tyre sealant, tools and driver with 75 kg) without optional equipment. If any optional equipment is added, the weight changes accordingly. ** Calculated maximum value which should be checked depending on the body and application. Subject to change without notice. All data is approximate. The illustrations may contain accessories and items of optional equipment which are not part of the standard specification. The data sheet may contain product types and support services not available in certain countries.



4P10 – 129 kW (175 PS)
 430 Nm@1600 rpm
 129 kW@2865 rpm

CANTER 7C18D DUONIC® 2.0 RHD

ENGINE (EURO VI)

Type	Water-cooled four-stroke diesel engine with turbocharger, intercooler and direct injection			
No. of cylinders	4/in-line			
Capacity	2998 cm ³			
Peak output	129 kW (175 hp) / 2865 rpm			
Rated torque	430 Nm / 1600 rpm			
Diesel particulate filter	Service life approx. 300,000 km			
Alternator	Alternating current 12 V, 140 A			
Exhaust gas aftertreatment	SCR + DPF			
PTO (optional)	Type	31 kW with flange	62 kW with flange	31 kW for directly connected pumps
	Torque at peak output	196 Nm	392 Nm	196 Nm
	Gear ratios	1:0.655	1:0.727	1:0.651
	Engine speed at peak output	1500 rpm		

POWERTRAIN

Transmission	Model	DUONIC® 2.0: Automated transmission with dual clutch, 6 forward speeds and 1 reverse gear
	Gear ratio	5.397 - 3.788 - 2.310 - 1.474 - 1.000 - 0.701 - reverse 5.397
Rear axle gear ratio	Ratio	4.875

CHASSIS

Front axle / rear axle	Model	F350T / R035T
	Load-bearing capacity front/rear	3100 kg / 6000 kg
Tyres		205/75R17.5C 124/122 M
		Twin tyres at rear, tyres with optimised rolling resistance
Wheel		17.5 x 6.00 - 127 - 9t - 6 wheel bolts
Steering		RHD
		Recirculating-ball steering with power assist, tilting telescopic steering column with steering-wheel lock
Brake	Service brake	Hydraulic with vacuum power assist, dual-circuit with load-dependent brake proportioning valve at rear wheels
	Front / rear	Disc brake (252 x 40)
	Parking brake	Mechanical expanding brake on drive shaft at rear of transmission
	Auxiliary brake	Exhaust brake (50 kW)
Suspension	Front / rear	Semi-elliptic leaf spring with shock absorber and stabiliser
Frame	Type	Ladder-type frame with reinforcements and crossmembers
Fuel tank capacity		100 litres
Electrical system – batteries		12 V (100 AH - 760 A(EN))