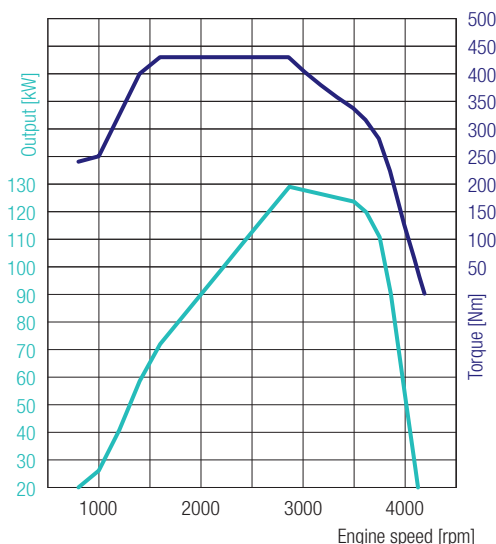


# CANTER 6C18 4x4

## LEFT-HAND DRIVE

MODEL / VEHICLE TYPE		6C18 4x4	
Cab type / crew		Comfort, single cab / 3	
Model variant		46911512	46911712
FUSO model code		FGB71EL6SEUY	FGB71GL6SEUY
DIMENSIONS [MM]			
Wheelbase		3415	3865
Overall length		5935	6685
Cab length			1625
Width overall			2098
Cab width			1995
Height overall		2475	2470
Track width	Front / rear	1665 / 1560	
Frame height (at end of frame)		815	810
Cab to rear axle		2890	3340
Cab to end of frame		4285	5035
Maximum body length**		5005	5750
Frame width			750
Front overhang			1130
Rear overhang		1395	1695
Front axle to front of body			625
Recommended distance cab to body			100
WEIGHTS [KG]			
Empty weight*		2825	2845
	Front* / rear*	1860 / 965	1825 / 1020
Minimum vehicle weight		2905	
Gross vehicle weight / gross combination weight		6500 / 10000	
Axle loads*	Front / rear	2800 / 5125	2800 / 5070
Towed weight	Braked / unbraked	3500 / 750	
Chassis load bearing capacity*		3675	3655
CALCULATED OUTPUT			
Maximum speed	km/h	130	
Minimum turning circle [m]	Kerb to kerb	13.5	15.1
	Wall to wall	14.9	16.5
GROUND CLEARANCES AND APPROACH/DEPARTURE ANGLES			
Ground clearance under axles	Front / rear	210 / 185	
Approach/departure angles	front / rear	35° / 25°	



**4P10 – 129 kW (175 PS)**  
 430 Nm@1600 rpm  
 129 kW@2865 rpm

## CANTER 6C18 4x4 LEFT-HAND DRIVE

### ENGINE (EURO VI)

Type	Water-cooled four-stroke diesel engine with turbocharger, intercooler and direct injection		
No. of cylinders	4/in-line		
Capacity	2998 cm <sup>3</sup>		
Peak output	129 kW (175 hp) / 2865 rpm		
Rated torque	430 Nm / 1600 rpm		
Diesel particulate filter	Service life approx. 300,000 km		
Alternator	Alternating current 12 V, 140 A		
Exhaust gas aftertreatment	SCR + DPF		
PTO (optional)	Type	31 kW with flange	31 kW for directly connected pumps
	Torque at peak output [Nm]:	196 Nm	
	Gear ratios	1:0.644	1:0.638
	Engine speed at peak output	1500 rpm	

### POWERTRAIN

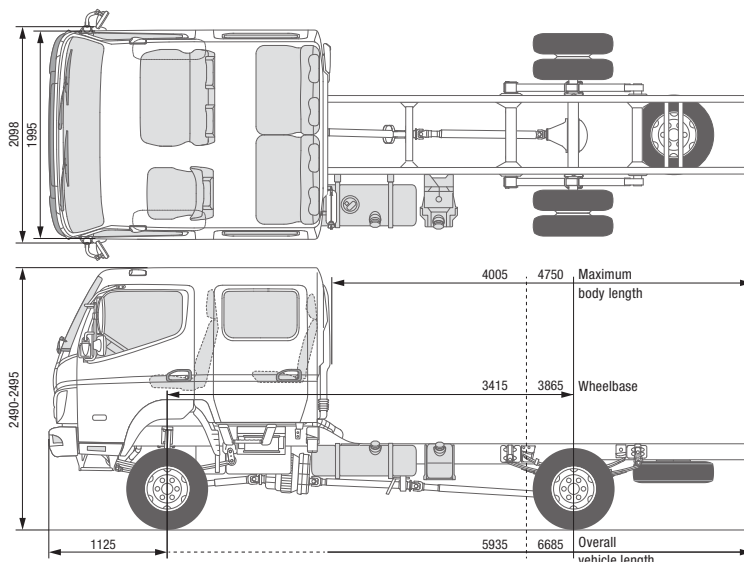
Transmission / all-wheel drive	Type	Manual gearbox, 5 forward gears, 1 reverse gear
	Gear ratio	5.494 / 3.193 / 1.689 / 1.000 / 0.723 / reverse 5.494
	Torque split 4x4	60% front / 40% rear
Rear axle gear ratio	Ratio	4.875

### CHASSIS

Front axle / rear axle	Model	F200TW / R035T
	Load-bearing capacity front/rear	2800 kg / 5000 kg (3415 mm)      2800 kg / 4940 kg (3865 mm)
Tyres		205/75R17.5C 124/122 M Twin tyres at rear, tyres with optimised rolling resistance
Wheel		17.5 x 6.00 - 127 - 9t - 6 wheel bolts
Steering		Left-hand drive
		Recirculating-ball steering with power assist, tilting telescopic steering column with steering-wheel lock
Brake	Service brake	Hydraulic with vacuum power assist, dual-circuit with load-dependent brake proportioning valve at rear wheels
	Front / rear	Drum brake (320 x 75.2L) / drum brake (320 x 110)
	Parking brake	Mechanical expanding brake on drive shaft at rear of transmission
	Auxiliary brake	Exhaust brake (50 kW)
Suspension	Front / rear	Semi-elliptic leaf spring with shock absorber and stabiliser
Frame	Type	Ladder-type frame with reinforcements and crossmembers
Fuel tank capacity		100 litres
Electrical system	Batteries	12 V (100 Ah - 760 A(EN))

\* The weight refers to the base vehicle (European series, including coolant, oil, 90% fuel, tyre sealant, tools and driver with 75 kg) without optional equipment. If any optional equipment is added, the weight changes accordingly. \*\* Calculated maximum value which should be checked depending on the body and application.

Subject to change without notice. All data is approximate. The illustrations may contain accessories and items of optional equipment which are not part of the standard specification. The data sheet may contain product types and support services not available in certain countries.



## CANTER 6C18D 4x4 LEFT-HAND DRIVE

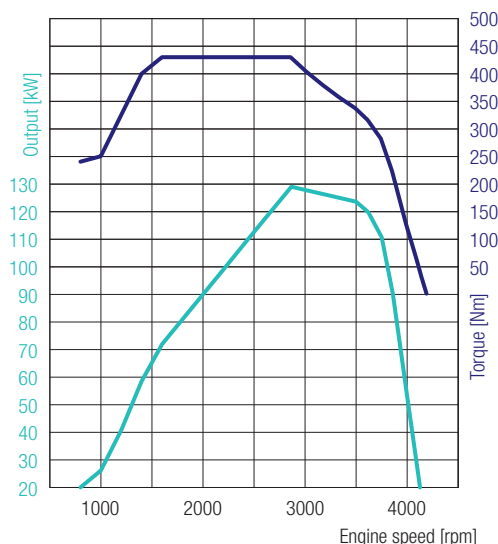
MODEL / VEHICLE TYPE	6C18D 4x4	
Cab type / crew	Comfort, crew cab / 7	
Model variant	46911514	46911714
FUSO model code	FGB71EL6WEUY	FGB71GL6WEUY

DIMENSIONS [MM]		
Wheelbase	3415	3865
Overall length	5935	6685
Cab length		2625
Width overall		2098
Cab width		1995
Height overall	2495	2490
Track width	Front / rear	1665 / 1560
Frame height (at end of frame)		810
Cab to rear axle	1890	2340
Cab to end of frame	3285	4035
Maximum body length**	4005	4750
Frame width		750
Front overhang		1130
Rear overhang	1395	1695
Front axle to front of body		1625
Recommended distance cab to body		100

WEIGHTS [KG]		
Empty weight*	3050	3065
	Front* / rear*	1930 / 1120
Minimum vehicle weight		3105
Gross vehicle weight / gross combination weight		6500 / 10000
Axle loads*	Front / rear	2800 / 5125
Towed weight	Braked / unbraked	3500 / 750
Chassis load bearing capacity*	3450	3435

CALCULATED OUTPUT		
Maximum speed	km/h	130
Minimum turning circle [m]	Kerb to kerb	13.5
	Wall to wall	14.9
		15.1
		16.5

GROUND CLEARANCES AND APPROACH/DEPARTURE ANGLES		
Ground clearance under axles	Front / rear	210 / 185
Approach/departure angles	Front / rear	35° / 25°



**4P10 – 129 kW (175 PS)**  
 430 Nm@1600 rpm  
 129 kW@2865 rpm

## CANTER 6C18D 4x4 LEFT-HAND DRIVE

### ENGINE (EURO VI)

Type	Water-cooled four-stroke diesel engine with turbocharger, intercooler and direct injection		
No. of cylinders	4/in-line		
Capacity	2998 cm <sup>3</sup>		
Peak output	129 kW (175 hp) / 2865 rpm		
Rated torque	430 Nm / 1600 rpm		
Diesel particulate filter	Service life approx. 300,000 km		
Alternator	Alternating current 12 V, 140 A		
Exhaust gas aftertreatment	SCR + DPF		
PTO (optional)	Type	31 kW with flange	31 kW for directly connected pumps
	Torque at peak output [Nm]:	196 Nm	
	Gear ratios	1:0.644	1:0.638
	Engine speed at peak output	1500 rpm	

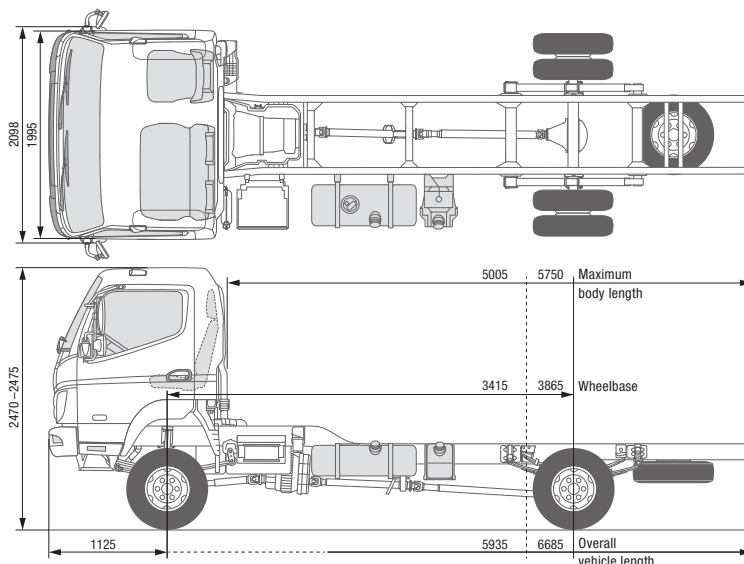
### POWERTRAIN

Transmission / all-wheel drive	Type	Manual gearbox, 5 forward gears, 1 reverse gear	
	Gear ratio	5.494 / 3.193 / 1.689 / 1.000 / 0.723 / reverse 5.494	
	Torque split 4x4	60% front / 40% rear	
Rear axle gear ratio	Ratio	4.875	

### CHASSIS

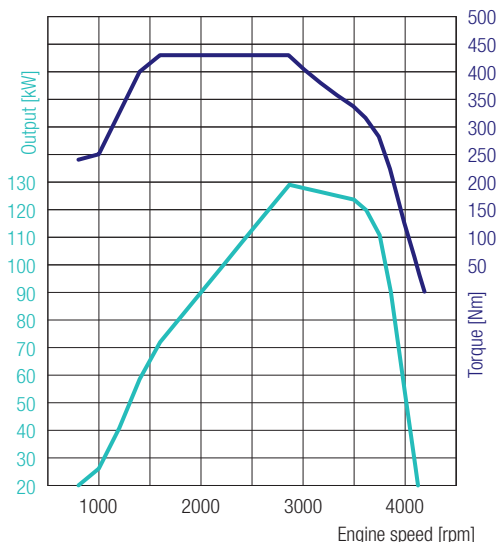
Front axle / rear axle	Model	F200TW / R035T	
	Load-bearing capacity front/rear	2800 kg / 5000 kg (3415 mm)	2800 kg / 5070 kg (3865 mm)
Tyres		205/75R17.5C 124/122 M	
		Twin tyres at rear, tyres with optimised rolling resistance	
Wheel		17.5 x 6.00 - 127 - 9t - 6 wheel bolts	
Steering		Left-hand drive	
		Recirculating-ball steering with power assist, tilting telescopic steering column with steering-wheel lock	
Brake	Service brake	Hydraulic with vacuum power assist, dual-circuit with load-dependent brake proportioning valve at rear wheels	
	Front / rear	Drum brake (320 x 75.2L) / drum brake (320 x 110)	
	Parking brake	Mechanical expanding brake on drive shaft at rear of transmission	
	Auxiliary brake	Exhaust brake (50 kW)	
Suspension	Front / rear	Semi-elliptic leaf spring with shock absorber and stabiliser	
Frame	Type	Ladder-type frame with reinforcements and crossmembers	
Fuel tank capacity		100 litres	
Electrical system	Batteries	12 V (100 Ah - 760 A(EN))	

\* The weight refers to the base vehicle (European series, including coolant, oil, 90% fuel, tyre sealant, tools and driver with 75 kg) without optional equipment. If any optional equipment is added, the weight changes accordingly. \*\* Calculated maximum value which should be checked depending on the body and application.  
 Subject to change without notice. All data is approximate. The illustrations may contain accessories and items of optional equipment which are not part of the standard specification. The data sheet may contain product types and support services not available in certain countries.



## CANTER 6C18 4x4 RIGHT-HAND DRIVE

MODEL / VEHICLE TYPE		6C18 4x4	
Cab type / crew		Comfort, single cab / 3	
Model variant		46911522	46911722
FUSO model code		FGB71ER6SEUY	FGB71GR6SEUY
DIMENSIONS [MM]			
Wheelbase		3415	3865
Overall length		5935	6685
Cab length		1625	
Width overall		2098	
Cab width		1995	
Height overall		2475	2470
Track width		Front / rear 1665 / 1560	
Frame height (at end of frame)		815	810
Cab to rear axle		2890	3340
Cab to end of frame		4285	5035
Maximum body length**		5005	5750
Frame width		750	
Front overhang		1130	
Rear overhang		1395	1695
Front axle to front of body		625	
Recommended distance cab to body		100	
WEIGHTS [KG]			
Empty weight*		2825	2845
Front* / rear*		1860 / 965	1825 / 1020
Minimum vehicle weight		2905	
Gross vehicle weight / gross combination weight		6500 / 10000	
Axle loads*		Front / rear 2800 / 5125	
Towed weight		Braked / unbraked 3500 / 750	
Chassis load bearing capacity*		3675	3655
CALCULATED OUTPUT			
Maximum speed		km/h	130
Minimum turning circle [m]		Kerb to kerb 13.5	
		Wall to wall 14.9	
Ground clearance under axles		Front / rear 210 / 185	
Approach/departure angles		front / rear 35° / 25°	
GROUND CLEARANCES AND APPROACH/DEPARTURE ANGLES			



**4P10 – 129 kW (175 PS)**  
 430 Nm@1600 rpm  
 129 kW@2865 rpm

## CANTER 6C18 4x4 RIGHT-HAND DRIVE

### ENGINE (EURO VI)

Type	Water-cooled four-stroke diesel engine with turbocharger, intercooler and direct injection		
No. of cylinders	4/in-line		
Capacity	2998 cm <sup>3</sup>		
Peak output	129 kW (175 hp) / 2865 rpm		
Rated torque	430 Nm / 1600 rpm		
Diesel particulate filter	Service life approx. 300,000 km		
Alternator	Alternating current 12 V, 140 A		
Exhaust gas aftertreatment	SCR + DPF		
PTO (optional)	Type	31 kW with flange	31 kW for directly connected pumps
	Torque at peak output [Nm]:	196 Nm	
	Gear ratios	1:0.644	1:0.638
	Engine speed at peak output	1500 rpm	

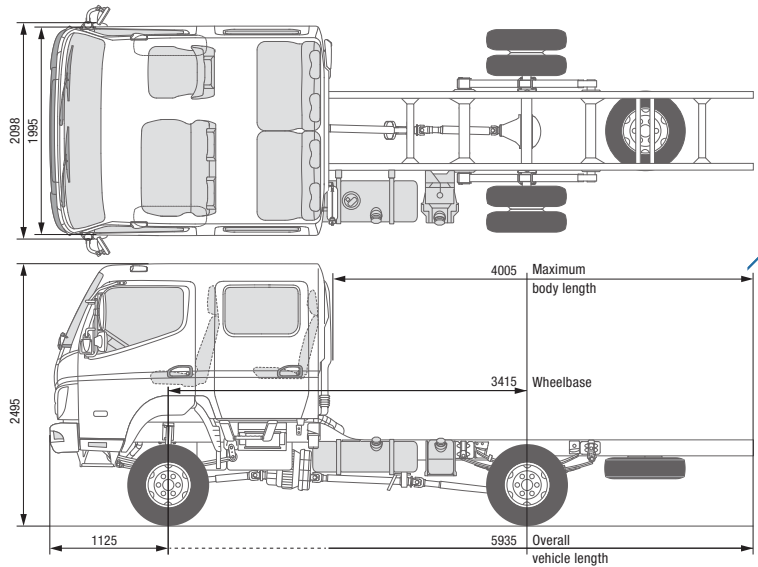
### POWERTRAIN

Transmission / all-wheel drive	Type	Manual gearbox, 5 forward gears, 1 reverse gear	
	Gear ratio	5.494 / 3.193 / 1.689 / 1.000 / 0.723 / reverse 5.494	
	Torque split 4x4	60% front / 40% rear	
Rear axle gear ratio	Ratio	4.875	

### CHASSIS

Front axle / rear axle	Model	F200TW / R035T	
	Load-bearing capacity front/rear	2800 kg / 5000 kg (3415 mm)	2800 kg / 5070 kg (3865 mm)
Tyres		205/75R17.5C 124/122 M	
		Twin tyres at rear, tyres with optimised rolling resistance	
Wheel		17.5 x 6.00 - 127 - 9t - 6 wheel bolts	
Steering		Right-hand drive	
		Recirculating-ball steering with power assist, tilting telescopic steering column with steering-wheel lock	
Brake	Service brake	Hydraulic with vacuum power assist, dual-circuit with load-dependent brake proportioning valve at rear wheels	
	Front / rear	Drum brake (320 x 75.2L) / drum brake (320 x 110)	
	Parking brake	Mechanical expanding brake on drive shaft at rear of transmission	
	Auxiliary brake	Exhaust brake (50 kW)	
Suspension	Front / rear	Semi-elliptic leaf spring with shock absorber and stabiliser	
Frame	Type	Ladder-type frame with reinforcements and crossmembers	
Fuel tank capacity		100 litres	
Electrical system	Batteries	12 V (100 Ah - 760 A(EN))	

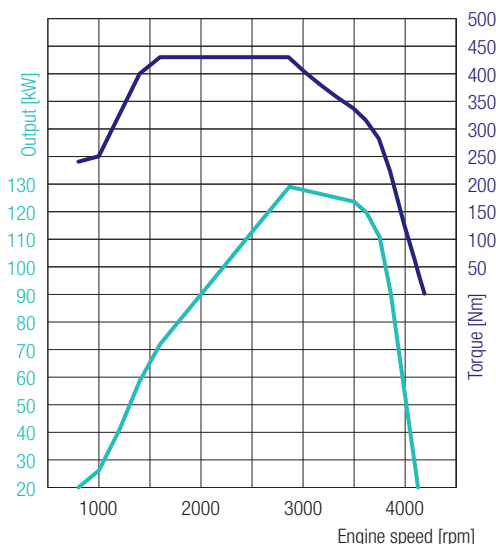
\* The weight refers to the base vehicle (European series, including coolant, oil, 90% fuel, tyre sealant, tools and driver with 75 kg) without optional equipment. If any optional equipment is added, the weight changes accordingly. \*\* Calculated maximum value which should be checked depending on the body and application. Subject to change without notice. All data is approximate. The illustrations may contain accessories and items of optional equipment which are not part of the standard specification. The data sheet may contain product types and support services not available in certain countries.



# CANTER 6C18D 4x4

## RIGHT-HAND DRIVE

MODEL / VEHICLE TYPE		6C18D 4x4
Cab type / crew		Comfort, crew cab / 7
Model variant		46911524
FUSO model code		FGB71ER6WEUY
DIMENSIONS [MM]		
Wheelbase		3415
Overall length		5935
Cab length		2625
Width overall		2098
Cab width		1995
Height overall		2495
Track width	Front / rear	1665 / 1560
Frame height (at end of frame)		810
Cab to rear axle		1890
Cab to end of frame		3285
Maximum body length**		4005
Frame width		750
Front overhang		1130
Rear overhang		1395
Front axle to front of body		1625
Recommended distance cab to body		100
WEIGHTS [KG]		
Empty weight*		3050
	Front* / rear*	1930 / 1120
Minimum vehicle weight		3105
Gross vehicle weight / gross combination weight		6500 / 10000
Axle loads*	Front / rear	2800 / 5125
Towed weight	Braked / unbraked	3500 / 750
Chassis load bearing capacity*		3450
CALCULATED OUTPUT		
Maximum speed	km/h	130
Minimum turning circle [m]	Kerb to kerb	13.5
	Wall to wall	14.9
GROUND CLEARANCES AND APPROACH/DEPARTURE ANGLES		
Ground clearance under axles	Front / rear	210 / 185
Approach angle	front / rear	35° / 25°



**4P10 – 129 kW (175 PS)**  
 430 Nm@1600 rpm  
 129 kW@2865 rpm

## CANTER 6C18D 4x4 RIGHT-HAND DRIVE

### ENGINE (EURO VI)

Type	Water-cooled four-stroke diesel engine with turbocharger, intercooler and direct injection		
No. of cylinders	4/in-line		
Capacity	2998 cm <sup>3</sup>		
Peak output	129 kW (175 hp) / 2865 rpm		
Rated torque	430 Nm / 1600 rpm		
Diesel particulate filter	Service life approx. 300,000 km		
Alternator	Alternating current 12 V, 140 A		
Exhaust gas aftertreatment	SCR + DPF		
PTO (optional)	Type	31 kW with flange	31 kW for directly connected pumps
	Torque at peak output [Nm]:	196 Nm	
	Gear ratios	1:0.644	1:0.638
	Engine speed at peak output	1500 rpm	

### POWERTRAIN

Transmission / all-wheel drive	Type	Manual gearbox, 5 forward gears, 1 reverse gear
	Gear ratio	5.494 / 3.193 / 1.689 / 1.000 / 0.723 / reverse 5.494
	Torque split 4x4	60% front / 40% rear
Rear axle gear ratio	Ratio	4.875

### CHASSIS

Front axle / rear axle	Model	F200TW / R035T
	Load-bearing capacity front/rear	2800 kg / 5000 kg
Tyres		205/75R17.5C 124/122 M
		Twin tyres at rear, tyres with optimised rolling resistance
Wheel		17.5 x 6.00 - 127 - 9t - 6 wheel bolts
Steering		Right-hand drive
		Recirculating-ball steering with power assist, tilting telescopic steering column with steering-wheel lock
Brake	Service brake	Hydraulic with vacuum power assist, dual-circuit with load-dependent brake proportioning valve at rear wheels
	Front / rear	Drum brake (320 x 75.2L) / drum brake (320 x 110)
	Parking brake	Mechanical expanding brake on drive shaft at rear of transmission
	Auxiliary brake	Exhaust brake (50 kW)
Suspension	Front / rear	Semi-elliptic leaf spring with shock absorber and stabiliser
Frame	Type	Ladder-type frame with reinforcements and crossmembers
Fuel tank capacity		100 litres
Electrical system	Batteries	12 V (100 Ah - 760 A(EN))

\* The weight refers to the base vehicle (European series, including coolant, oil, 90% fuel, tyre sealant, tools and driver with 75 kg) without optional equipment. If any optional equipment is added, the weight changes accordingly. \*\* Calculated maximum value which should be checked depending on the body and application. Subject to change without notice. All data is approximate. The illustrations may contain accessories and items of optional equipment which are not part of the standard specification. The data sheet may contain product types and support services not available in certain countries.